



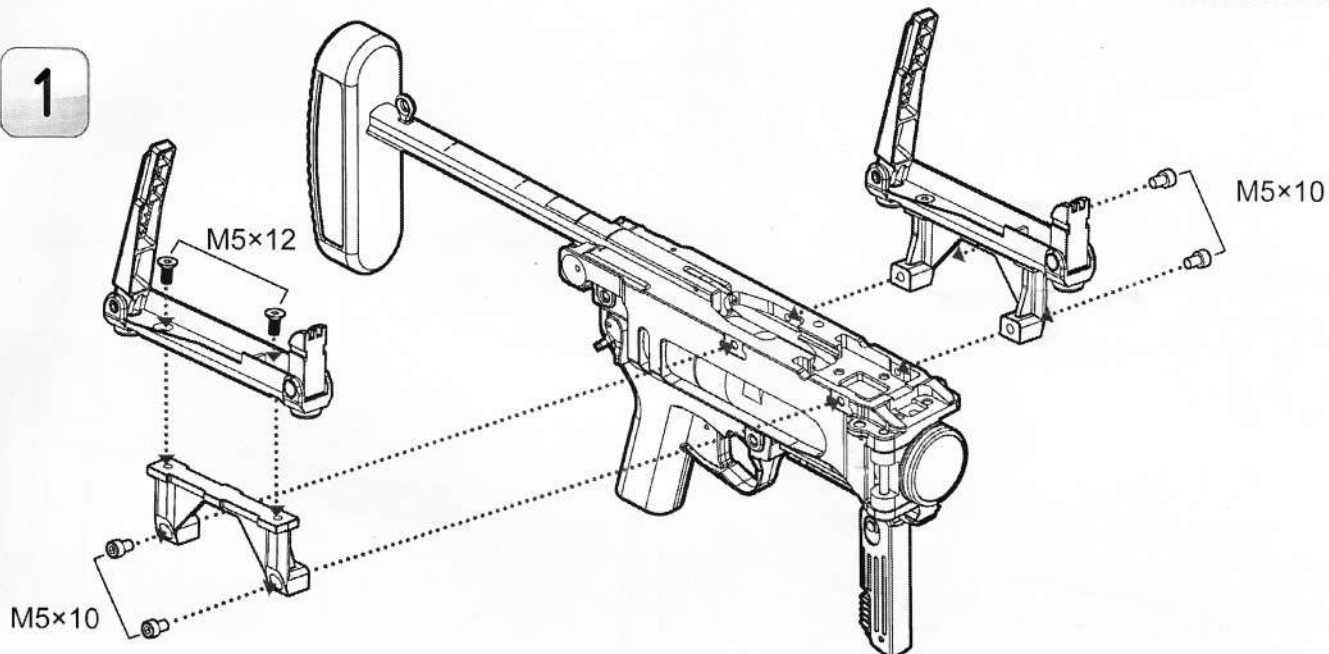
USER MANUAL

IRON

M320 Grenade Launcher Module

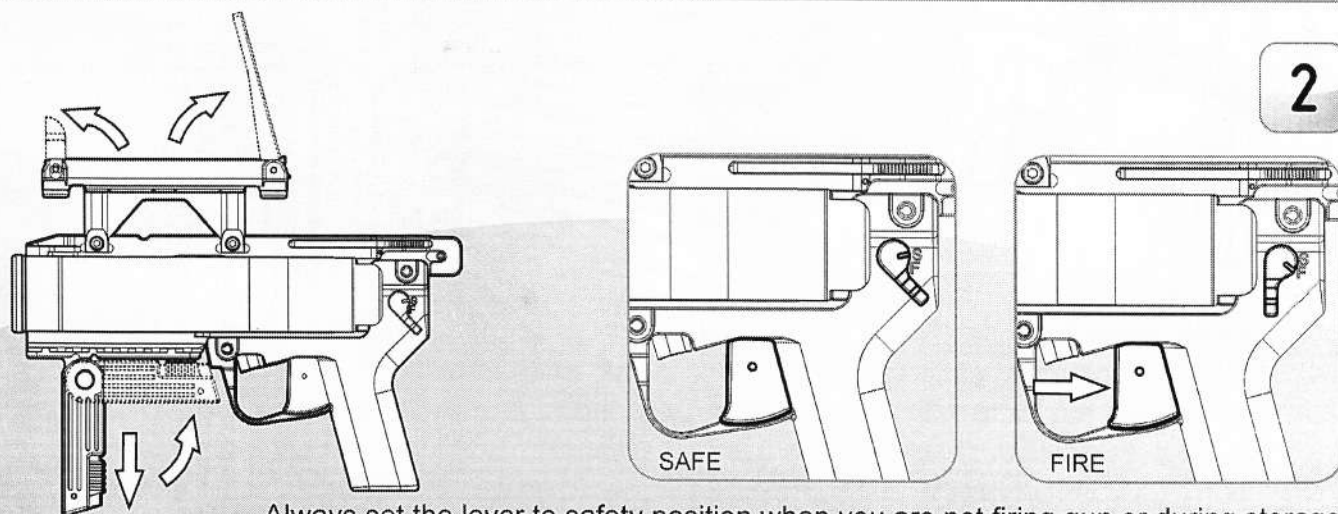
www.ironairsoft.com

1



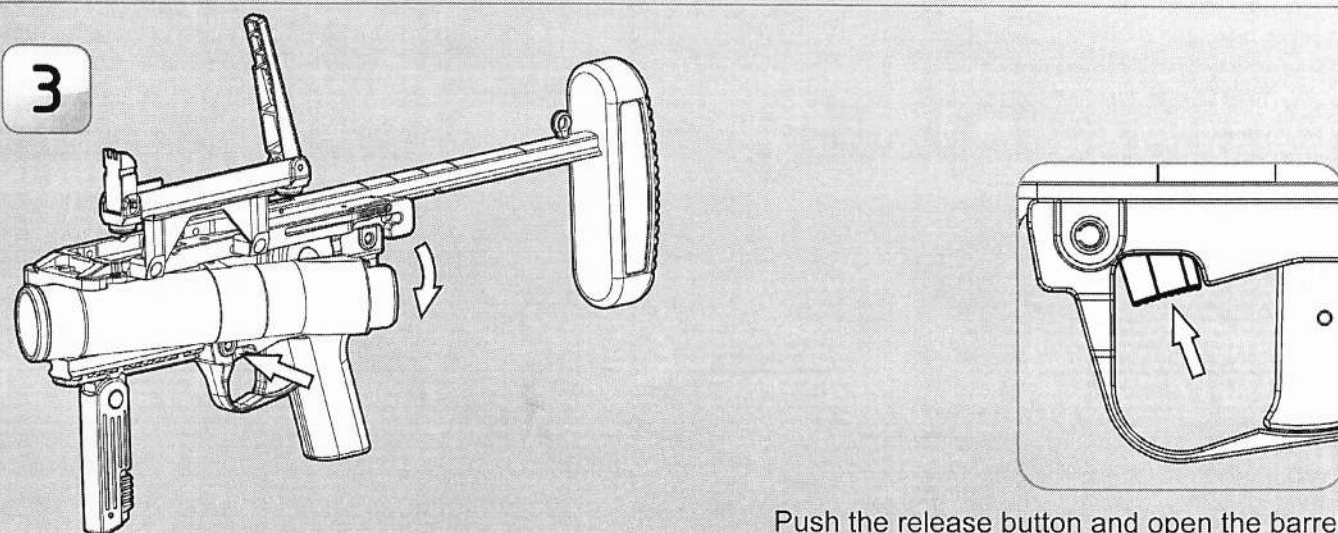
※The Quick-detachable mechanical quadrant sight can be choose to install on the left or right.

2



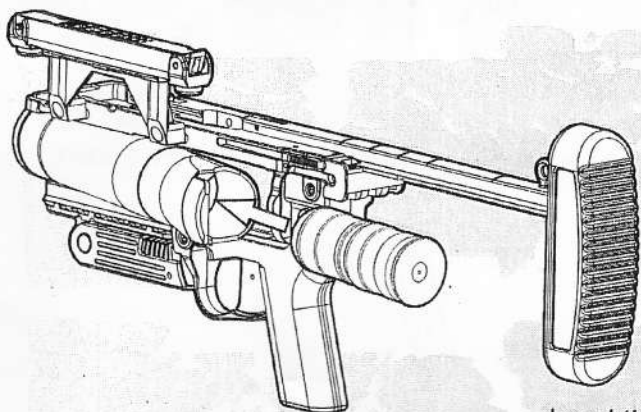
Always set the lever to safety position when you are not firing gun or during storage.

3



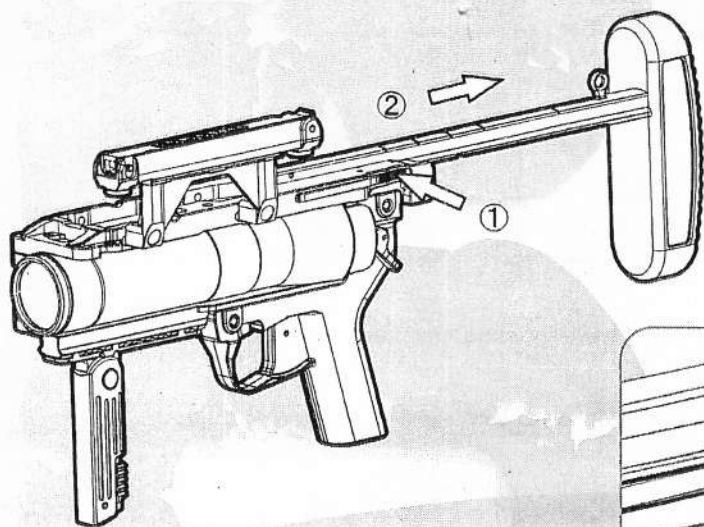
Push the release button and open the barrel.

4

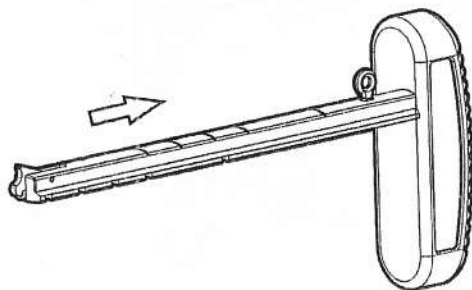


Load the B.B. Shower into the chamber, and close the barrel.

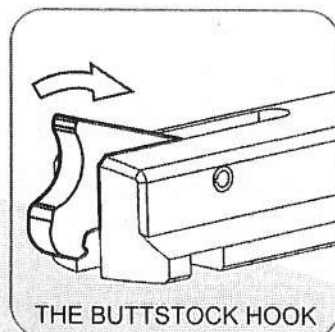
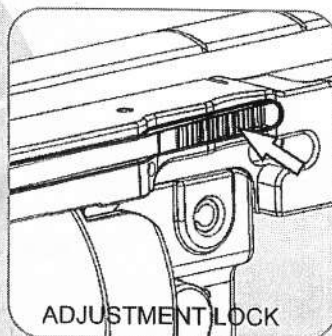
5



Pull up the hook and remove the buttstock.

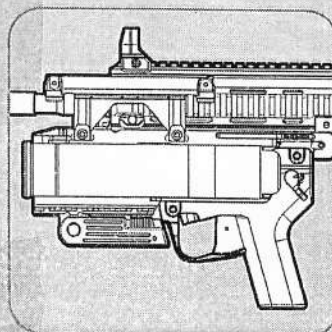
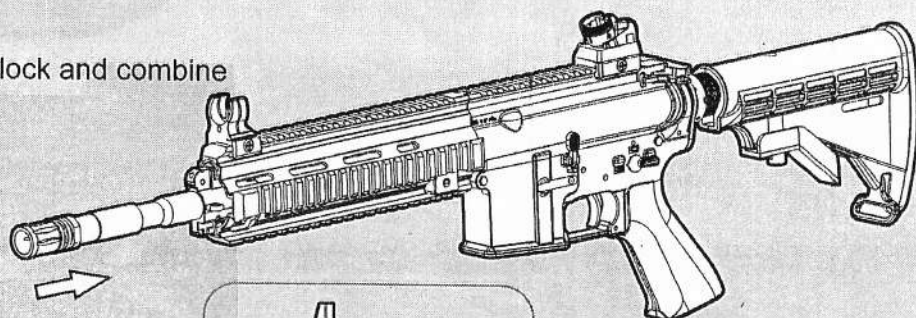
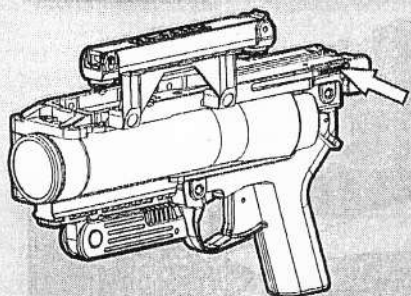


- ① Push the adjustment lock.
- ② Pull the buttstock and adjust 4 position.



6

Push the adjustment lock and combine with tactical rail.



Please check the launcher and tactical rail close fit.